

2MP 15X IR Network PTZ



SM-IPTZ-2MP-15X/MS



System

SM-IPTZ-2MP-15X/MS the 3RD generation of light-weighted AI smart-tracking PTZ camera which adopts a high quality 15x optical zoom lens, and AI SOC, could deliver top-notch 1920x1080@30fps image details over a wide open area. The PTZ camera can detect max 7 objects per scene, classify human/vehicles within 350m in radius. When any of them intrude restricted area, the camera will trace, zoom fit in center of screen, snap and record and trigger alert until object disappeared. This generation of PTZ increases sensitivity by 250%, dynamic range by 200%, night vision distance by 100m and reduces electric power by 4Watt. It could bring up vivid color image in most areas, no need switching to IR night mode or WDR/BLC/HLC manually. Even in dim rural area it could capture human appearance and behaviors at 200m as court evidence. The low power design ensures the PTZ could directly connect to PoE NVR at 200m distance away with cat5e cable, without need of AC220V power line and adaptor to supply. The PTZ has H.265 video compression which reduces bit rate down to 50% of H.264 without loss. And it conforms to the ONVIF, ensuring interoperability between surveillance video products regardless of manufacturers. The PTZ confirms to most security regulation and data protection policy. With competitive price, excellent picture quality and good protection, the camera could meet the demand of small size of surveillance application, especially for ASEA, Latin America, South Asia etc.

Key Spec:

- Excellent low light performance
- Super long IR light supplement distance for a small PTZ
- Deep-learning engine, support human/vehicles detection, auto-tracking
- Small body, good protection, low power design, fast deployment, low TOC
- Stable supply-chain, long product life circle, confirms to data protection regulations of major countries.

Application:

Intrusion, perimeter protection and alarm for a middle area, such as parks, scenic spots, stations and venues, industrial park.
Suggestion installing height about 4-10m

SPECIFICATION:

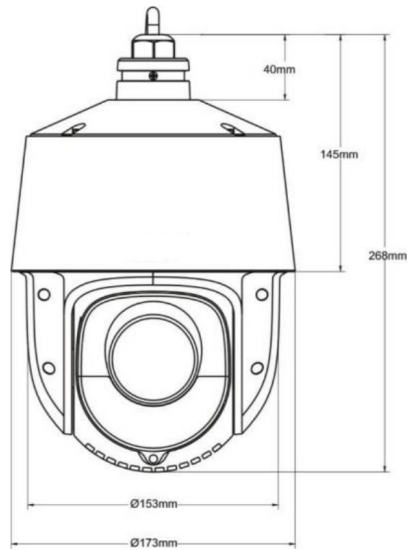
Camera Module					
Image sensor	1/2.8" progressive scan CMOS image sensor, with BSI and NIR++				
Max resolution	1920x1080				
Mini. Illumination	Color: 0.002Lux @ (F1.6, AGC ON); B/W: 0.0004Lux @(F1.6, AGC ON);0Lux with IR				
Image setting	Flip, Mirror, Saturation, Brightness, Contrast, Sharpness, AGC, etc. adjusted by client				
Shutter Speed	60Hz: 1/30s – 1/30,000s; 50Hz: 1/25s~1/25,000s				
White Balance	Auto/Manual/Indoor/Outdoor				
Gain control	Auto/Manual				
Day & Night control	Auto/Manual ,time schedule.(threshold:0.1lux)				
Iris control	Auto/Manual, 16 steps adjustable.				
SNR	≥52dB				
3D DNR	Auto/Manual				
AE Enhancement	BLC, HLC, DWDR				
Electronical Stabilizer	N/A(No gyro-scope)				
Privacy Mask	4 areas, up to 8 mask per request.				
Picture overlay	Logo picture could be overlaid on video with 128x128pixels,24bits format				
OSD overlay	Max 15 characters/line, 8 lines, white or red font color				
Lens					
Focus length	f=5-75mm lens,15x optical zoom				
Zoom Speed	Approx. 2.4s (optical zoom, wide-tele)				
Field of View	Horizontal: 54 °~ 4 °;Vertical: 32 °~ 2.3 °;Diagonal: 64.5 °~4.6 °(Wide-Tele), ±5%				
Image distance	Wide: 1.0m ~ INF; tele: 1.5m ~ INF				
Aperture Range	Max F1.6				
Iris Type	DC_IRIS				
IRCut type	Removable IRCut filter				
DORI distance	Focus length	Detect	Observe	Recognize	Identify
	f=5mm	73m(239.5 f.t.)	29m(95.1 f.t.)	14.6m(47.9 f.t.)	7.3m(23.95 f.t.)
	f=75mm	883m(2897 f.t.)	350.4m(1149 f.t.)	176.6m(579.4 f.t.)	88.3m(289.7 f.t.)
PTZ					
Pan Range	360 °endless				
Pan speed	Configurable, from 0.1~80 %s; Preset speed: 80 %s				
Tilt Range	From -10 °to 90 °,auto flip				
Tilt Speed	Configurable, from 0.1 °~ 80 %s, Preset speed: 80 %s				
Proportional Zoom	Yes				
Preset	360				
Cruise	8 cruises, up to 16 presets for each cruises				
Trace	4 traces, record time over 3 minutes for each trace				
Power off memory	Support				
Action mode	Preset/Cruise/Trace/Auto Scan/Random Scan				
3D Positioning	Support				
PTZ Position Display	Support				
Schedule Task	Preset/Cruise/Trace/Random Scan/Boundary Scanning /Dome reboot				
IR					
IR Distance	200m (492 f.t.) ,850nm, 6 IR				
Smart IR	Yes				
Network					
Main stream	50Hz: 1920 ×1080,1280 ×960,1280 ×720 @25fps; 60Hz: 1920 ×1080,1280 ×960,1280 ×720 @30fps				
Sub stream	50Hz: 704 ×576, 640 ×480, 352 ×288 @25fps; 60Hz: 704 ×480, 640 ×480, 352 ×240 @30fps				
Third Stream	50Hz: 1920 ×1080,1280 ×960,1280 ×720, 704 ×576, 640 ×480, 352 ×288 @25fps 60Hz: 1920 ×1080,1280 ×960,1280 ×720, 704 ×480, 640 ×480, 352 ×240 @30fps				
Video compression	H.265/H.264+/H.264/MJPEG				

H.264 Standard	H.264/AVC codec BP/MP/HP, Level 5.1
H.265 Standard	H.265/HEVC codec MP, level 5.0
Video Bit Rate	64Kbps to 16Mbps
Audio compression	N/A(G.711 A/U)
Audio Bit Rate	N/A(64K bps)
Protocols	HTTP, HTTPS, IPv4/IPv6, 802.1x, QoS, FTP, SMTP, UPnP, SNMP, DNS, DDNS, NTP, RTSP, RTCP, RTP, TCP/IP, UDP, DHCP, PPPoE,P2P
User / Host	Up to 16 users, 3 levels: Administrator, Advanced User and Normal User
Security Measures	User authentication (ID and PW), Host authentication (MAC address); HTTPS encryption, IEEE802.1x port-based network access control; IP address filtering
API	ONVIF G/S/T, support SDK and third-party management platform
Client	N9000 1.4.5, NVMS 2.0; and the third-party client, free iOS and Android App
Web Browser	IE8-11 with plug-in; Edge, Chrome, Firefox with plugin free
Smart Features	
Basic event	Motion detection, Video tampering alarm, Exception(Network disconnected, IP address conflict, SD full, SD error)
Face recognize	Default ban (Open per local policy and request)
Road traffic	Vehicle detecting and tracking
Smart Detection	Tripwire, Bi-directional tripwire, Illegal intrusion detection, Region entrance detection, Region exiting detection, etc. More VCA per request.
Smart Tracking	Smart tracking of human or vehicle, auto/manual
System Integration	
Alarm Interface	N/A
Audio Interface	N/A
Alarm Linkage	Alarm actions, such as Preset, Cruise, Track, Memory Card Video Record, Trigger Recording, Upload to FTP/Memory Card, Send Email, etc.
Network Interface	1 RJ45 10M/100M Adaptive Ethernet ,Support PoE(802.3.af,class 3)
SD Card Slot	One MicroSD slot, up to 256G
RS 485	N/A
BNC	N/A
Built-in Speaker &Mic	N/A
Reset button	Yes
Built-in Heater &Fan	N/A
Water removal	Support (built-in raindrops eyebrow, lotus coating glass, quick-spinning)
Frost removal	Desiccant, Vacuumize
Ice removal	N/A
General	
Languages	Czech; English, German ; Hungarian ; Italian ; Japanese ; Korean ; Portuguese, Polish; Russian, Romanian, Spanish; Spanish(Mexico);Simplified Chinese; Turkish; Traditional Chinese, etc.
Power Supply	DC12V ±25%,2000mA ,PoE (802.3.af, class 3), max 12W include IR ON+PTZ working
Working condition	-30 °C ~ 65 °C (-22 °F ~ 149 °F), IR OFF; -30 °C ~ 45 °C(-40 °F ~113 °F), IR ON; Cold start at - 20 °C (0.5-1 hour waiting); 90%RH
Storage condition	-40°C ~ 70°C ; ≤ 95% RH
Protection	IP66, 6000V Lightning Protection, Surge Protection and Voltage Transient Protection
Shield Material	Front cover: Aluminum Alloy; Main body: PC+GF15%;Decorating parts: PC+ABS/GF
Dimensions	Φ 173mm × 268mm (Φ6.8 inch × 10.55 inch)
Net Weight	Approx. 2.0 Kg (4.4 lb.)
Certification	IP66,IK10(excluding glass window),ROHS,CE,FC

Ordering information:

SM-IPTZ-2MP-15X/MS	2MP 15X Starlight IR 200m Network PoE Smart-tracking 4inch PTZ Camera, IP66,-30°C~65°C,DC12V/PoE,not include power adaptor and bracket
--------------------	--

Dimensions:



Accessories (optional) :



Wall mounting bracket



Pole mounting bracket



Corner mounting bracket



Pendant mounting bracket



Wall mounting bracket



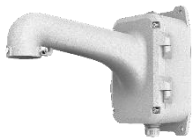
Pole mounting bracket



Corner mounting bracket



In-ceiling bracket



with junction box



with junction box



with junction box



DC12V 2A
Power adaptor



PTZ Keyboard