

SM-IPTZ-4MP-25X/MWSFR

AI PTZ

25X 4MP IR Network Smart PTZ



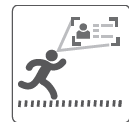
4MP



H.265



VCA



Smart tracking



Perimeter



PoE+



IP66



160m



System

SM-IPTZ-4MP-25XMWSFR PTZ camera which adopts BSI+NIR images sensor, with high quality 25x optical zoom lens, could deliver top-notch 2560x1440@30fps image details over a wide open area. The H.265 video compression reduces bit rate down to 50% of H.264 without loss. With its built-in 1.5Tops AI engine, the PTZ camera could detect and classify max 15 objects per scene. When any of them intrude restricted area, the PTZ camera will trace, zoom fit in center of screen, snap and record and trigger alert. The gimbal is improved for tracing fast object. The IR brightness is enhanced 200%, which improves night vision distance above 160m. This PTZ conforms to the ONVIF specifications ensuring interoperability between network video products regardless of manufacturers, and also complies with NDAA 2019. This series of PTZ has enhanced body material, built-in turbo fan and heater and is designed for 7/24H work in outdoor weather. This series has also added alarm and audio interface. With excellent picture quality and good protection, the camera could meet the demand of small size of surveillance application.

Key Spec:

- BSI+NIR progressive scan CMOS
- Up to 2560x1440 resolution
- Mini illumination:
 - Color: 0.01 lux @ (F1.65 AGC ON)
 - 0 Lux with IR
- 25x optical zoom, Accurate and fast focusing
- WDR, 3D DNR, Smart IR 160m
- Smart H.265+/H.265/H.264+/H.264
- Intelligent Video content analytics
- Smart tracking of human/vehicle
- Smart detection and perimeter protection
- ONVIF, API and SDK
- PoE+ and DC12V
- IP66, -40 °C~60 °C, ADC12 & PC/GF

Application:

Wide range area intrusion, perimeter protection and alarm, such as parks, scenic spots, stations and venues, industrial park.

SM-IPTZ-4MP-25X/MWSFR AI PTZ

SPECIFICATION:

Camera Module					
Image sensor	1/2.7" progressive scan CMOS, BSI, NIR+				
Mini. Illumination	Color: 0.01Lux @ (F1.65, AGC ON); B/W: 0.002Lux @(F1.65, AGC ON);0Lux with IR				
Image setting	Flip, Mirror, Saturation, Brightness, Contrast, Sharpness, AGC, etc. adjusted by client				
Shutter Speed	50Hz: 1/25s ~1/25,000s; 60Hz: 1/30s ~ 1/30,000s				
White Balance	Auto/Manual/Indoor/Outdoor				
Gain control	Auto/Manual				
Day & Night control	Auto/Manual ,time schedule				
Iris control	Auto/Manual				
SNR	≥52dB				
3D DNR	Auto/Manual				
AE Enhancement	BLC, HLC, WDR				
Privacy Mask	4 areas, up to 8 per request				
Picture overlay	Logo picture could be overlaid on video with 128x128pixels,24bits BMP format				
OSD overlay	Max 15 characters/line, 8 lines, white or red font color				
Lens					
Focus length	f=4.8-120mm lens,25x optical zoom				
Zoom Speed	Approx. 3.6s (optical zoom, wide-tele)				
Field of View	Horizontal: 55 °~2.4 °±5%; Vertical: 33 °~ 1.4 °±5%; Diagonal: 61.5 °~ 2.8 °±5% (wide-tele)				
Working distance	Wide: 1.0m ~ INF; tele: 1.5m ~ INF				
Aperture Range	F1.65 ~ F3.8 (wide-tele)				
Iris type	DC-IRIS, 16 Stops				
IRCut type	Removable IRCut filter, with blue diamond glass to remove image flare and ghost				
DORI distance	Focus length	Detect(25px/m)	Observe(63px/m)	Recognize(125px/m)	Identify(250px/m)
	f=4.8mm	96m(315 f.t.)	38m(124.7 f.t.)	19.2m(63 f.t.)	9.6m(31.5 f.t.)
	f=120mm	2200m(7218 f.t.)	873m(2864.3 f.t.)	440m(1443.6 f.t.)	220m(721.8 f.t.)
PTZ					
Pan Range	360 °endless				
Pan speed	Configurable, from 0.1~200 %s; Preset speed: 240 %s				
Tilt Range	From -10 °to 90 °,auto flip				
Tilt Speed	Configurable, from 0.1 ~ 200 %s, Preset speed: 240 %s				
Proportional Zoom	Yes				
Preset	360				
Cruise	8 cruises, up to 16 presets for each cruises				
Trace	4 traces, record time over 3 minutes for each trace				
Power off memory	Support				
Action mode	Preset/Cruise/Trace/Auto Scan/Random Scan				
3D Positioning	Support				
PTZ Position Display	Support				
Schedule Task	Preset/Cruise/Trace/Random Scan/Boundary Scanning /Dome reboot				
IR					
IR Distance	160m(525 f.t.), dual stack IR LED Array				
Smart IR	Yes				
Network					
Max Resolution	2560x1440				
Main stream	50Hz: 25fps: 2560×1440,1920×1080,1280×960,1280×720; 60Hz: 30fps: 2560×1440,1920×1080,1280×960,1280×720				
Sub stream	50Hz: 25fps: (704 × 576, 640 × 480, 352 × 288); 60Hz: 30fps (704 × 480, 640 × 480, 352 × 240)				
Third Stream	50Hz:25fps (1920 × 1080, 1280 × 960, 1280 × 720, 704 × 576, 640 × 480, 352 × 288) 60Hz:30fps (1920 × 1080, 1280 × 960, 1280 × 720, 704 × 480, 640 × 480, 352 × 240)				
Video compression	H.265+/H.265/H.264+/H.264/MJPEG				

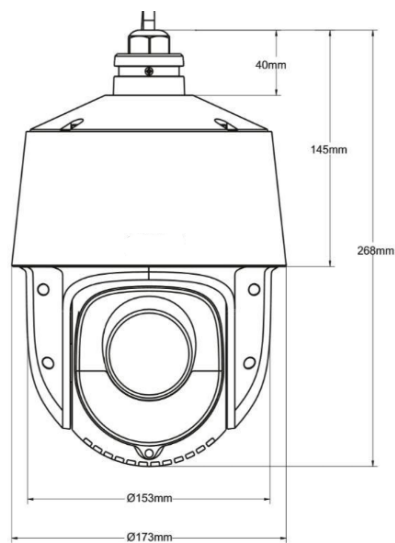
H.264 Standard	H.264/AVC codec BP/MP/HP, Level 5.1
H.265 Standard	H.265/HEVC codec MP, level 5.0
Video Bit Rate	64Kbps to 8Mbps
Audio compression	G.711 A/U
Audio Bit Rate	64K bps
Protocols	HTTP, HTTPS, IPv4/IPv6, 802.1x, QoS, FTP, SMTP, UPnP, SNMP,DNS, DDNS, NTP, RTSP, RTCP, RTP, TCP/IP, UDP, DHCP, PPPoE
Simultaneous live view	Up to 6 channels
User / Host	Up to 16 users, 3 levels: Administrator, Advanced User and Normal User
Security Measures	User authentication (ID and PW), Host authentication (MAC address); HTTPS encryption, IEEE802.1x port-based network access control; IP address filtering
Smart Features	
Basic event	Motion detection, Video tampering alarm, Exception(Network disconnected, IP address conflict, SD full, SD error)
Face recognize	Default off, Detecting max 15 faces at same scene. Detecting, tracking, capturing
Road traffic	Vehicle detecting and tracking
Smart Detection	Tripwire, Bi-directional tripwire, Illegal intrusion detection, Region entrance detection, Region exiting detection, etc. More VCA per request
Smart Tracking	Smart tracking of human or vehicle, auto/manual
System Integration	
Alarm Interface	1 Alarm input(Dry contact); 1 Alarm output
Audio Interface	1 audio input(MIC in); 1 audio output, line level, impedance,600Ω
Alarm Linkage	Alarm actions, such as Preset, Cruise, Track, Memory Card Video Record, Trigger Recording, Upload to FTP/Memory Card, Send Email, etc.
Network Interface	1 RJ45 10M/100M Adaptive Ethernet ,Support PoE+
SD Card Slot	One MicroSD slot, up to 256G
RS 485	N/A
BNC	N/A
Speaker	N/A
Reset button	Yes
Heater	Yes
Fan	Yes
Water removal	Remove water-drops by quick spinning, blow hot air to glass to remove frost, ice
API	ONVIF, support SDK and third-party management platform
Client	N9000 1.4.5, NVMS 2.0; and the third-party client
Web Browser	IE8-11
General	
Languages	Czech; English, German ; Hungarian ; Italian ; Japanese ; Korean ; Portuguese, Polish; Russian, Romanian, Spanish; Spanish(Mexico);Simplified Chinese; Turkish; Traditional Chinese.
Power Supply	DC12V ±25%,3000mA ,PoE+ (802.3.at), max 23W include IR ON+PTZ working
Working condition	-40 °C ~ 60 °C (-40 °F ~ 140 °F), Cold start at - 30 °C(30minutes waiting); 90%RH
Storage condition	-40°C ~ 70°C ; ≤ 95% RH
Protection	6000V Lightning Protection, Surge Protection and Voltage Transient Protection
Material	Aluminum Alloy + Plastic/GF15%
Dimensions	Φ 173mm × 268mm (Φ6.8 inch × 10.55 inch)
Net Weight	Approx. 2.1 Kg (4.63 lb.)
Certification	IP66,IK10(excluding glass window),ROHS,CE,FC

Ordering information

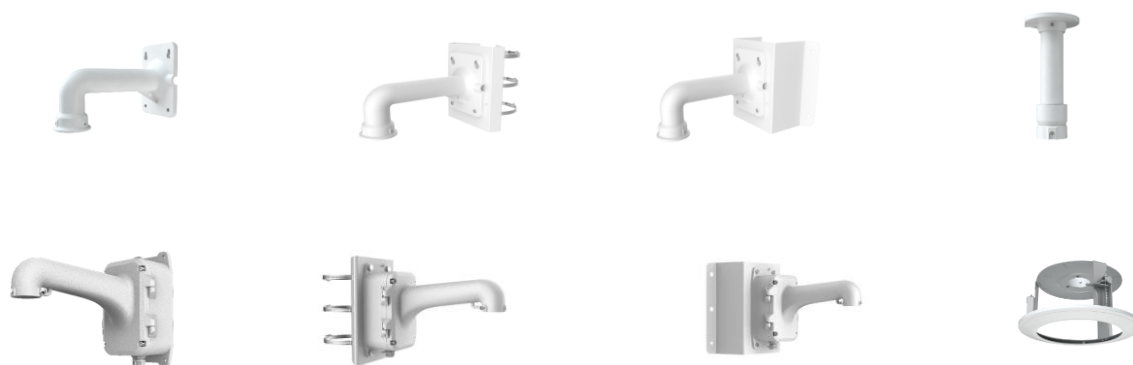
SM-IPTZ-4MP-25XMWSFR

4MP Starlight 25X IR 160m PoE Network Smart-tracking 4-inch PTZ Camera, IP66,-40°C~60°C,DC12V/PoE+,not include power adaptor and bracket

Dimensions:



Accessories(optional):



* All pictures and texts are for reference only. Actual product may vary due to product enhancement