



HDR



4MP



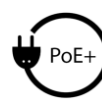
VCA



Smart tracking



Perimeter



PoE+



IP67



350m



SM-IPTZ-4MP-40X/MSFD

System:

SM-IPTZ-4MP-40X/MSFD the 3rd gen 5inch AI PTZ camera series, which adopts a high quality 40x optical zoom lens, and high computing AI SOC, could deliver excellent 2560x1440@30fps image details over a wide open area. The PTZ camera can detect max 15 objects per scene and classify human/vehicles from 2m to 1429m separately in radius. When any of them intrude restricted area, the camera will trace, zoom fit in center of screen, snap and record and trigger alarms until object disappeared, greatly improving surveillance efficiency.

The 5inch Gen3 PTZ improves many aspects to further utilize AI capacity. The revised gimbal system is up to 360°/s, which could automatically track express fast large objects at 300km/h within several miles distance. The rotation mechanics is enforced to endure over 10 millions times for long-time heavy usage. The 3rd gen PTZ adopts black-ray image and new stacked IR technology, which filter all the intrusive lights and focusing on human and vehicles themselves, thus it could track and recognize human details within hundreds of meters, challenging the most complex environment, whatever it is bright sun-shrine or in pitch black, snowy or rainy, strong headlights of cars and street lamps, etc.

With competitive price, excellent picture quality and strong protection, the camera could meet the demand of 7x24Hour working in harsh weather for professional surveillance market.

Key Spec:

- Ultra fast rotation and tracking speed and over 10millions of tracking life circles.
- Superior low light performance
- Long IR supplement light distance
- 1.5Tops Deep-learning engine, support human/vehicles detection, auto-tracking
- IP67 Water immersion /true IK10 glass/6KV Surge protection,7x24H harsh weather
- Stable supply-chain, long product life circle
- Confirms to data protection regulations of major countries.

Application:

Wide range area intrusion, perimeter protection and alarm and smart-tracking: such as airport, express way, parks, scenic spots, stations and venues, industrial park. Suggestion installation: at 5-15m in height.

SPECIFICATION:

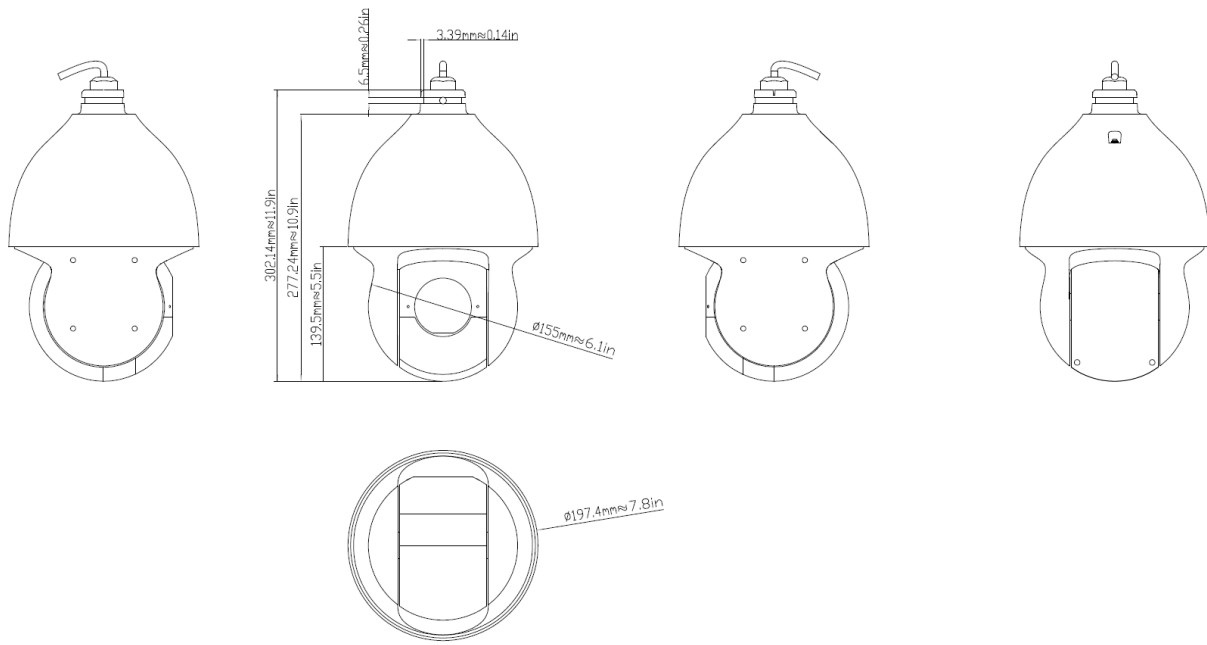
Camera Module					
Image sensor	1/2.8" progressive scan CMOS image sensor, BSI and NIR++,dual gain				
Max resolution	2560x1440				
Mini. Illumination	Color 0.005 Lux@(F1.2 AGC ON) B/W 0.001Lux@(F1.2 AGC ON); 0Lux with IR				
Image setting	Flip, Mirror, Saturation, Brightness, Contrast, Sharpness, AGC, etc. adjusted by client				
Shutter Speed	60Hz: 1/30s – 1/30,000s@30fps; 50Hz: 1/25s~1/25,000s@25fps				
White Balance	Auto/Manual/Indoor/Outdoor				
Gain control	Auto/Manual				
Day & Night control	Auto/Manual ,time schedule				
Iris control	Auto/Manual				
SNR	≥52dB				
3D DNR	Auto/Manual				
AE Enhancement	BLC, HLC, DWDR				
Digital Zoom	8X				
EIS	N/A				
Privacy Mask	4mask. (Ver 5.1.3 update:24 programmable polygon privacy masks, color or mosaic configurable)				
Picture overlay	Logo picture could be overlaid on video with 128x128pixels,24bits format				
OSD overlay	Max 15 characters/line, 8 lines, white or red font color				
Lens		SM-IPTZ-4MP-40X/MWSFD			
Focus length	f=4.5-180mm,40x optical zoom				
Zoom Speed	Approx. 5.2s				
Field of View (W-T,±5%)	Horizontal: 59.1° ~1.8°; Vertical: 38.4° ~ 1.1° ; Diagonal: 6.9° ~ 2.1°				
Image distance	Wide: 1.0m ~ INF; tele: 1.5m ~ INF				
Aperture Range	F1.2-F3.5(W-T)				
Iris Type	DC_IRIS				
	Removable IRCF, absorbing type, reducing image flare/ghost				
DORI table	Focus length	f=4.5mm	f=180mm		
	Detect	99.6m(326.8 f.t.)	3600m(8126.6f.t.)		
	Observe	39.5m(129.7 f.t.)	1429m(3250.7 f.t.)		
	Recognize	19.9m(65.4 f.t.)	720m(1625.3f.t.)		
	Identify	10m(32.7 f.t.)	360m(812.7 f.t.)		
PTZ					
Pan Range	360°endless				
Pan speed	Configurable, from 0.1~360°/s; Preset speed: 330°/s				
Tilt Range	From -25° to 155°,auto flip at 90°				
Tilt Speed	Configurable, from 0.1°~210°/s, Preset speed: 180°/s				
Proportional Zoom	Yes				
Preset	300				
Cruise	8 cruises, up to 16 presets (ver5.1.3 update:32presets) for each cruises				
Trace	4 traces, record time over 3 minutes(ver5.1.3 update: 10minutes) for each trace				
Power off memory	Support				
Action mode	Preset/Cruise/Trace/Auto Scan/Random Scan				
3D Positioning	Support				
PTZ status display	Support				
Schedule Task	Preset/Cruise/Trace/Random Scan/Boundary Scanning /Dome reboot				
IR					

IR Distance	350m (1312.3 f.t.)
IR type	4W 855nm stacked IR Array,8pcs
Smart IR	Yes
Network	
Main stream	50Hz: 25fps: 2560x1440,1920x1080,1280x960,1280x720;60Hz: 30fps: 2560x1440,1920x1080,1280x960,1280x720
Sub stream	50Hz: 25fps (704 × 576, 640 × 480, 352 × 288); 60Hz: 30fps (704 × 480, 640 × 480, 352 × 240)
Third Stream	50Hz:25fps (1920 × 1080, 1280 × 960, 1280 × 720, 704 × 576, 640 × 480, 352 × 288) 60Hz:30fps (1920 × 1080, 1280 × 960, 1280 × 720, 704 × 480, 640 × 480, 352 × 240)
Video compression	H.265+/H.265/H.264+/H.264/MJPEG
H.264 Standard	H.264/AVC codec BP/MP/HP, Level 5.1
H.265 Standard	H.265/HEVC codec MP, level 5.0
Video Bit Rate	64 Kbps to 16Mbps
Audio compression	G.711 A/U
Audio Bit Rate	64K bps
Protocols	HTTP, HTTPS, IPv4/IPv6, 802.1x, QoS, FTP, SMTP, UPnP, SNMP,DNS, DDNS, NTP, RTSP, RTCP, RTP, TCP/IP, UDP, DHCP, PPPoE, P2P, RTMP
User / Host	Up to 16 users, 3 levels: Administrator, Advanced User and Normal User
Security Measures	User authentication (ID and PW), Host authentication (MAC address); HTTPS encryption, IEEE802.1x port-based network access control; IP address filtering
API	ONVIF , support SDK and third-party management platform
Client	N9000 1.4.7, NVMS 2.0; and the third-party client, free iOS and Android App
Web Browser	IE8-11 with plug-in; Edge, Chrome, Firefox with plugin free
Smart Features	
Basic event	Motion detection, Video tampering alarm, Exception(Network disconnected, IP address conflict, SD full, SD error)
Face recognize	.(Default off, open per request)Face detection. Max 15 faces per scene
Road traffic	Vehicle detecting and tracking. CPL will be available at ver5.1.3
Smart Detection	Tripwire, Bi-directional tripwire, Illegal intrusion detection, Region entrance detection, Region exiting detection, etc. More VCA will be available at ver5.1.3
Smart Tracking	support smart tracking of human or vehicle ,auto/manual
System Integration	
Alarm Interface	1 Alarm input(Dry contact); 1 Alarm output
Audio Interface	1 audio input, line level, 2.0-2.4Vpp,impedance 1KΩ; 1 audio output, line level, impedance,600Ω
Alarm Linkage	Alarm actions, such as Preset, Cruise, Trace, Memory Card Video Record, Trigger Recording, Notify Surveillance Center, Upload to FTP/Memory Card, Send Email, etc.
Network Interface	1 RJ45 10M/100M Adaptive Ethernet ,Support PoE+
SD Card Slot	One MicroSD slot and chamber, up to 256G
Built-in Speaker& Mic	N/A
RS485	N/A
BNC	N/A
Reset button	Yes
Electric Heater & Fan	Yes
Water removal	Remove water-drops by quick spinning
Demist	Active electric heating and air loop
General	
languages	Czech; English, German ; Hungarian ; Italian ; Japanese ; Korean ; Portuguese, Polish; Russian, Romanian, Spanish; Spanish(Mexico); Simplified Chinese; Turkish; Traditional Chinese. Etc.
Power supply	DC24V±25% 1500mA PoE+(802.3.at. avg. 12W, max 24W,include IR 8W
Working condition	-40°C ~ 65°C (-40°F ~ 149°F), IR off; -40°C ~ 45°C,IR on; Cold start at - 30°C; 90%RH
Storage condition	-40°C ~ 70°C ; ≤ 95% RH
Protection	6000V Lightning Protection, Surge Protection and Voltage Transient Protection
Shield Material	Aluminum Alloy(ADC12);Polymer(PC+GF15%)
Dimensions	Φ 197mm × 302mm (Φ7.8 inch X11.9 inch)
Net Weight	Approx. 2.9 Kg (6.4 lb.)
Certification	IP67, IK10(including glass window), ROHS, CE, FC, KC, BIS,UKCA

Ordering information:

SM-IPTZ-4MP-40X/MSFD	4MP 40X IR 350m PoE Network AI NDAA 5inch Speed PTZ Camera, IP67/IK10,DC24V/PoE+,not include power adaptor & bracket
----------------------	--

Dimensions(mm/inch):



Accessories(optional):



Wall mounting bracket
(9inch leg)



Pole mounting bracket



Corner mounting bracket



Pendant mounting bracket



Wall mounting bracket
(11inch leg)



Pole mounting bracket



Corner mounting bracket



Wall mounting bracket
with junction box



Pole mounting bracket
with junction box



Corner mounting bracket
with junction box



DC24V2.5A Supply



PoE+(30W) Midspan



PoE++(60W)Midspan



PTZ Keyboard