

Hybrid DVR

16 CH Hybrid DVR



SM-XVN11601M5-AI



SM-XVN11601M5-AI H.265 high profile compression format and th advanced SOC technique to ensure real time recording in each channel and realize outstanding robustness of the system.SM-XVN11601M5-AI supports 16 CH analog video input, 1 CH audio input and simultaneous 16 CH playback. The series of product can meet different security requirements of home, financial, commerce, enterprise, transportation and government, etc.

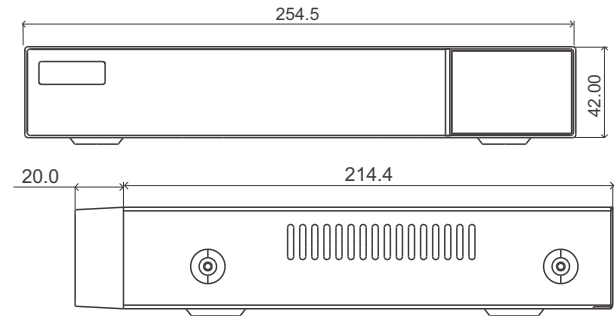


SM-XVN11601M5-AI

Features

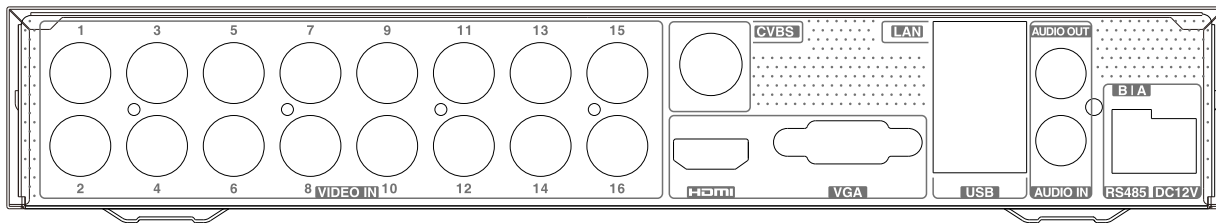
- Supports 16 CH TVI / AHD / CVI 5MP lite / 4MP / 1080P / 720P / WD1 video input
- input Supports 8 CH 5MP / 4MP / 1080P / 960P / 720P IP video input
- 8CH analog video input can be switched to 8CH IP video input
- Adopt standard H.265 high profile compression format to get high-quality video at much lower bit rate
- Intuitive and user-friendly Graphics User Interface (GUI), window style operation by mouse
- Multi-mode recording: manual / timed / sensor / motion / AI recording
- Playback : 16 CH simultaneously playback
- Search: time slice, time, event, tag search
- Express and flexible backup via USB, network and so on
- Pentaplex: preview, record, playback, backup and remote access
- DHCP, DDNS, PPPoE network protocol
- Remote control via Web or CMS : preview, playback, backup, PTZ and configuration
- Authorization management, log review and device status review
- Support 1080P output, true high resolution display
- Support PTZ preset and auto cruise, up to 255 presets and 8 cruises
- Support NAT function and QRCode scanning by mobile phones
- Powerful mobile surveillance by smart phones with iOS and Andriod OS

Dimensions



Rear Panel

SM-XVN11601M5-AI



SM-XVN11601M5-AI

SPECIFICATIONS

| Model | | SM-XVN11601M5-AI |
|--------------------------|--|---|
| System | OS | Embedded Linux |
| Video | Analog Video Input | BNC × 16 |
| | | BNC interface (1.0Vp-p; 75Ω) |
| | | TVI/AHD/CVI: 5MP Lite@20fps; 4MP Lite,1080P,720P,WD1 real time |
| | IP Video Input | 8CH (up to 16CH) Up to 5MP@30fps |
| | Total Input | 24CH |
| | Output | HDMI × 1 : 1920 × 1080 / 1280 × 1024 / 1024 × 768 VGA × 1 : 1920 × 1080 / 1280 × 1024 / 1024 × 768 BNC × 1 : CVBS (used as the main or spot output) |
| | Compression | H.264/H.265/H.265+ |
| Multi-screen Display | 1 /4/6/8/9/13/16/25 | |
| Audio | Input | RCA × 1 |
| | Output | RCA × 1 (linear, 600Ω) |
| | Two-way audio | Take up channel one audio input |
| | Compression | G.711(U/A) |
| Record | Resolution | 5MP Lite/4MP Lite/1080P/1080P Lite/720P/WD1 |
| | Frame Rate | Analog Channel: 5MP Lite:10fps; 4MP Lite/1080P:12fps(PAL)/15fps(NTSC) 1080P Lite/720P/WD1/D1: 25fps (PAL)/30fps (NTSC) IP Channel: 25fps (PAL)/30fps (NTSC) |
| | Bit Rate | 32Kbps ~ 5Mbps |
| | Mode | Manual, timer, motion, smart event |
| Playback | Playback | 16 CH |
| | Search | Time slice / time / event / tag search |
| | Smart Search | Highlight colors to display the camera record in a certain period of time, different colors refer to different record events |
| | Function | Play, pause, FF, FB, digital zoom, etc. |
| Alarm | Mode | Manual, motion, exception, smart event |
| | Input | No |
| | Output | No |
| AI Function | Smart Motion Detection Performance | 16CH |
| | Perimeter Protection Performance | 1CH |
| Network | Interface | RJ 45 100Mbps × 1 |
| | Protocol | TCP/IP, PPPoE, DHCP, DNS, DDNS, UPnP, HTTP, HTTPS, NTP, SMTP |
| | Incoming Bandwidth | 32Mbps (max. 64 Mbps) |
| | Outgoing Bandwidth | 80Mbps |
| | Client Connection | Max. 10 users access |
| Mobile Device | OS | iOS, Andriod |
| Storage | HDD | SATA × 1, up to 10TB |
| Backup | Local Backup | U disk, USB mobile HDD |
| | Network Backup | Yes |
| Port | RS 485 | RS 485 × 1 (half-duplex) |
| | USB | USB 2.0 × 2 (in the rear panel) |
| | Remote Controller | Optional |
| Others | Power Supply | DC12V / 3A |
| | Consumption | ≤10W(without HDD) |
| | Dimensions(mm) | 255× 234× 42 (W × D × H) |
| | Working Environment | -10~50°C, 10%~90% (humidity) |
| | Certificate | CE, FCC |
| Environmental Protection | Comply with Directive EU RoHS, WEEE, REACH | |